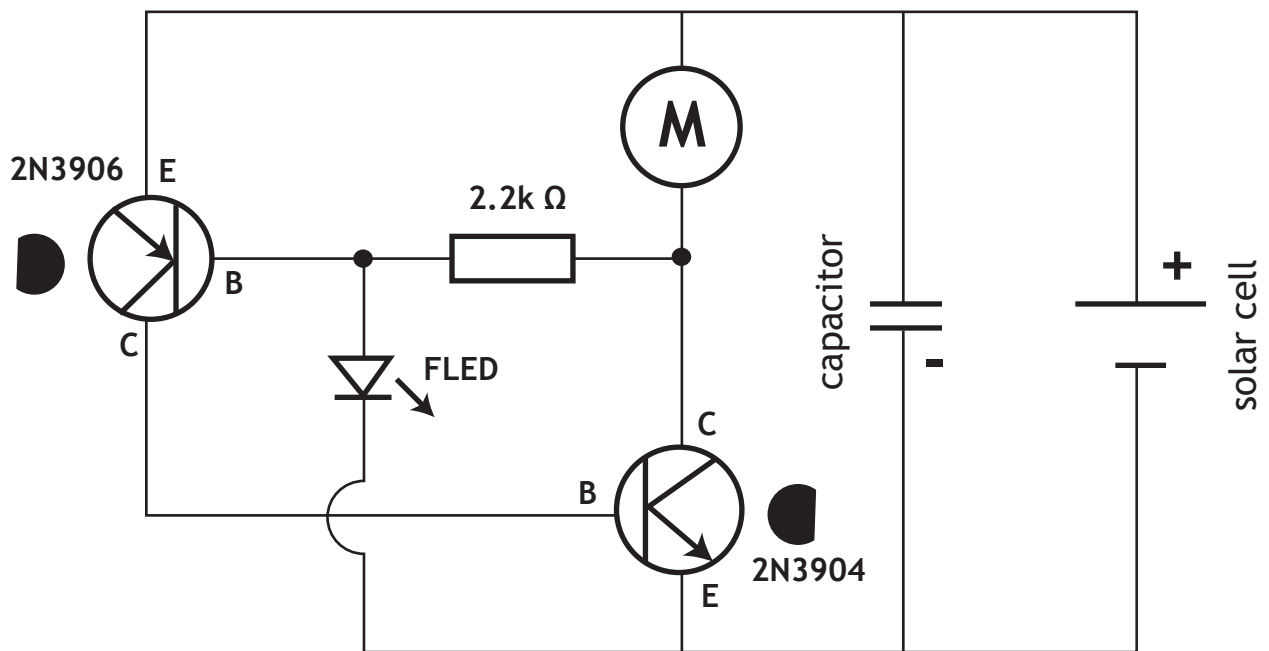


Solar T-shirt schematic



components: Solar Cell, Motor, 2N3906, 2N3904, FLED, 2.2K Resister, 4700µF Capacitor

www.KOBAKANT.at



+
Solar Cell



Collector
Base
Emitter

2N3906
PNP transistor

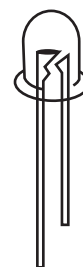


Collector
Base
Emitter

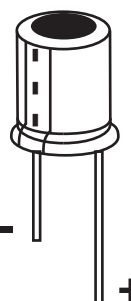
2N3904
NPN transistor



2.2k Ω
Resistor



FLED
(Blinking LED)



- +
Capacitor



+/-
+/-
Motor